

PRINTING AND FITTING SPECIFICATIONS

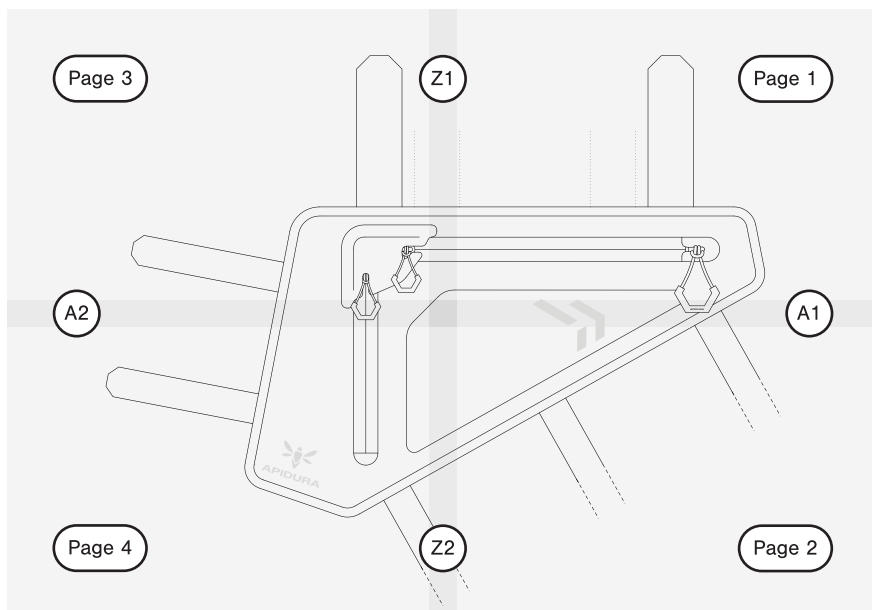
- Print this document on A4 sheets of paper (21 x 29.7cm).
- Ensure you print at 100 % scale.
- Measure both sides of this box to check scale is correct.
- Fit the prints together following the numbering system on the edge of each sheet. Ensure crosses are aligned.
- Tape the sheets together and cut around the Pack's outline
- When fitting this printed template to your bike, keep in mind that the Frame Pack will be more flexible as it is built from fabric.

10cm
3.9in

10cm / 3.9in

.....
Alternative placement
for the velcro strap

SCALE EXAMPLE OF FINAL TEMPLATE



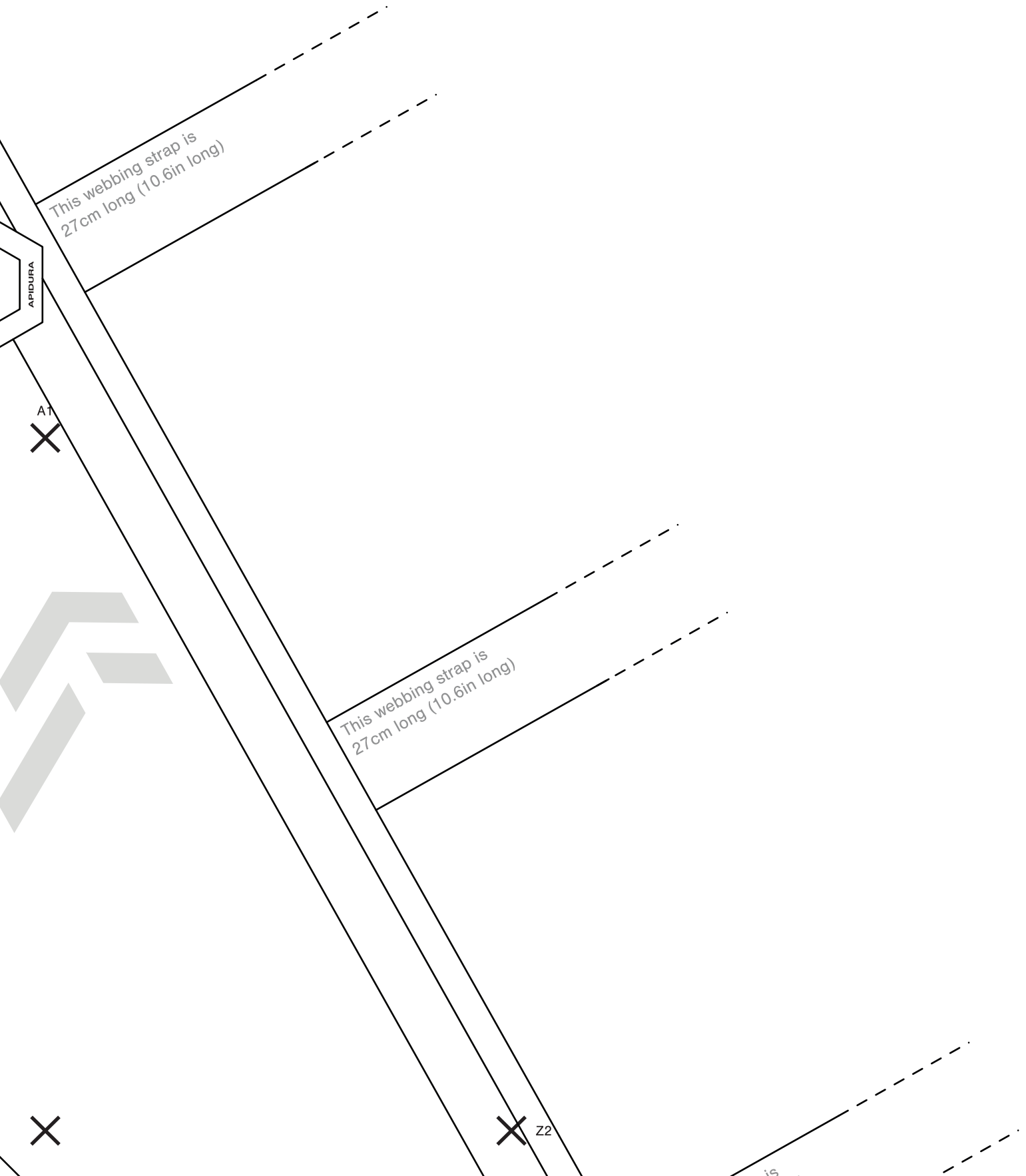
.....
Alternative placement
for the velcro strap
X Z1

BACKCOUNTRY FULL FRAME PACK (2.5L)

This v
27cm

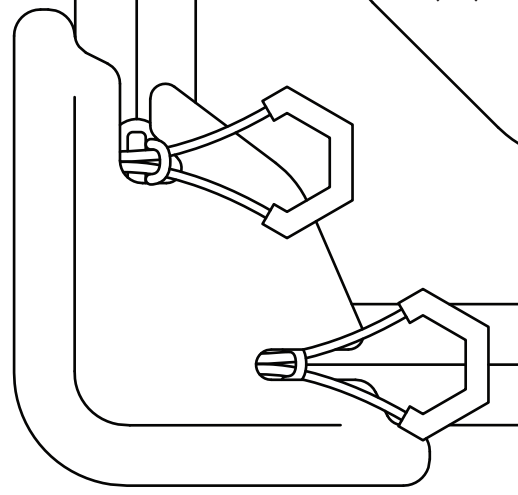
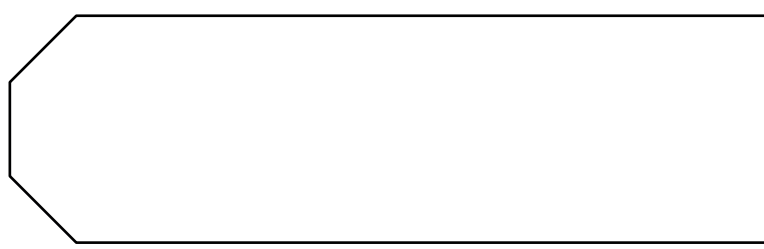
A1
X

X

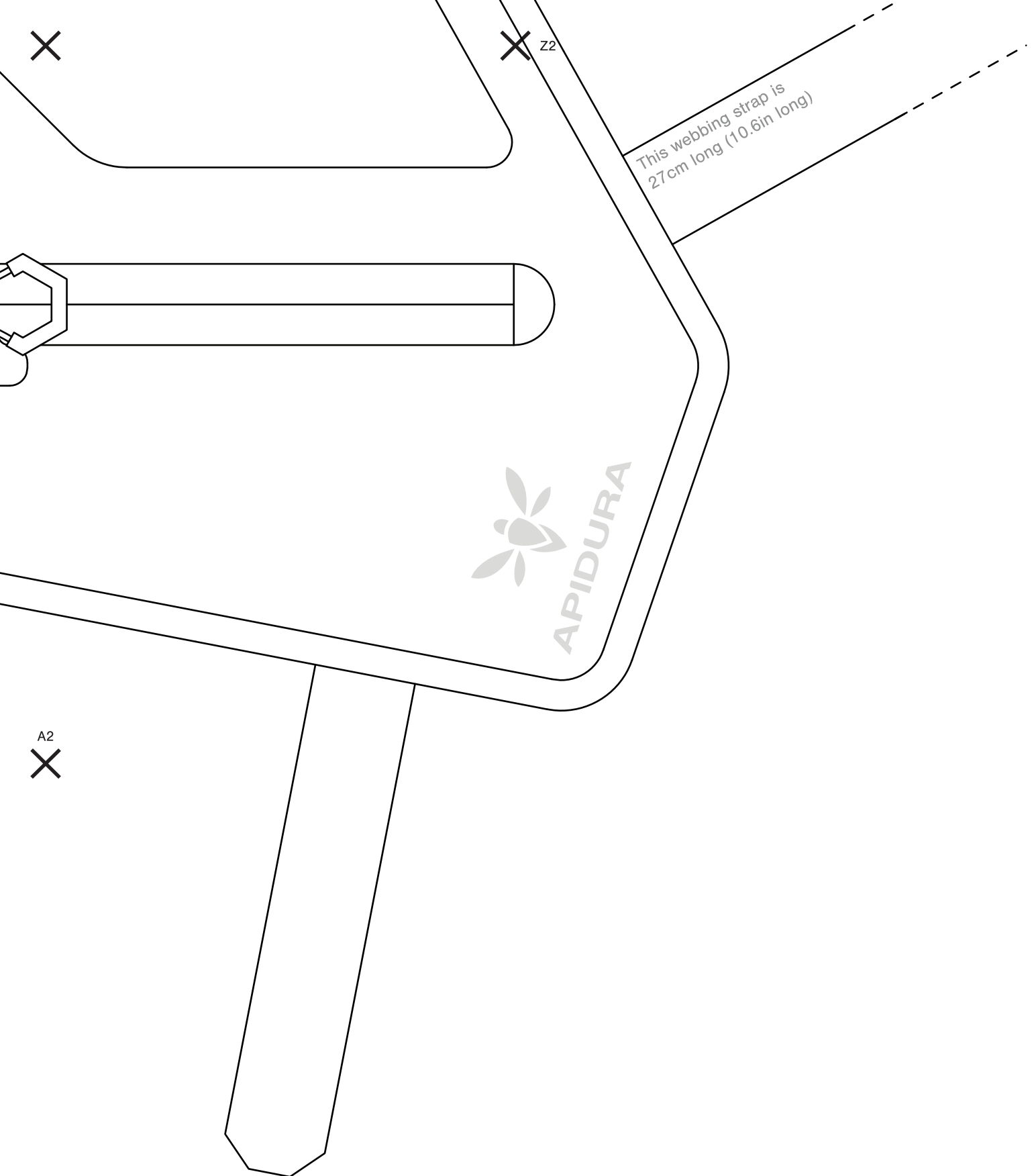


Alternative placement
for the velcro strap
X Z1

BACK



A2
X



This webbing strap is
27cm long (10.6in long)

 APIDURA

X

X Z2

A2
X