

PRINTING AND FITTING SPECIFICATIONS

- Print this document on letter size sheets of paper (8.5 x 11in).
- Ensure you print at 100 % scale.
- Measure both sides of this box to check scale is correct.
- Fit the prints together following the numbering system on the edge of each sheet. Ensure crosses are aligned.
- Tape the sheets together and cut around the Pack's outline
- When fitting this printed template to your bike, keep in mind that the Frame Pack will be more flexible as it is built from fabric.

10cm
3.9in

10cm / 3.9in

SCALE EXAMPLE OF FINAL TEMPLATE



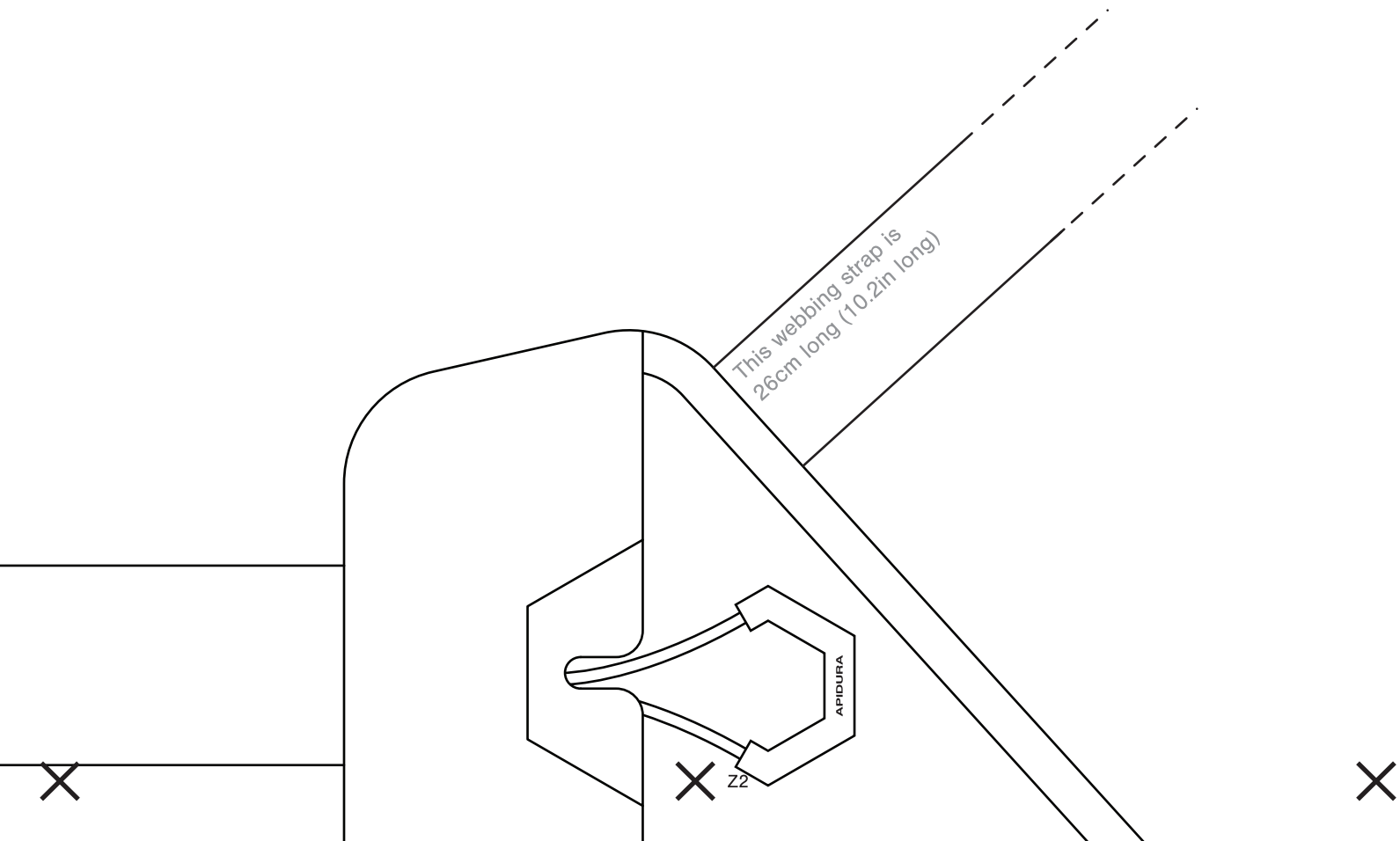
A1



X Z1



A1
✕



X Z1

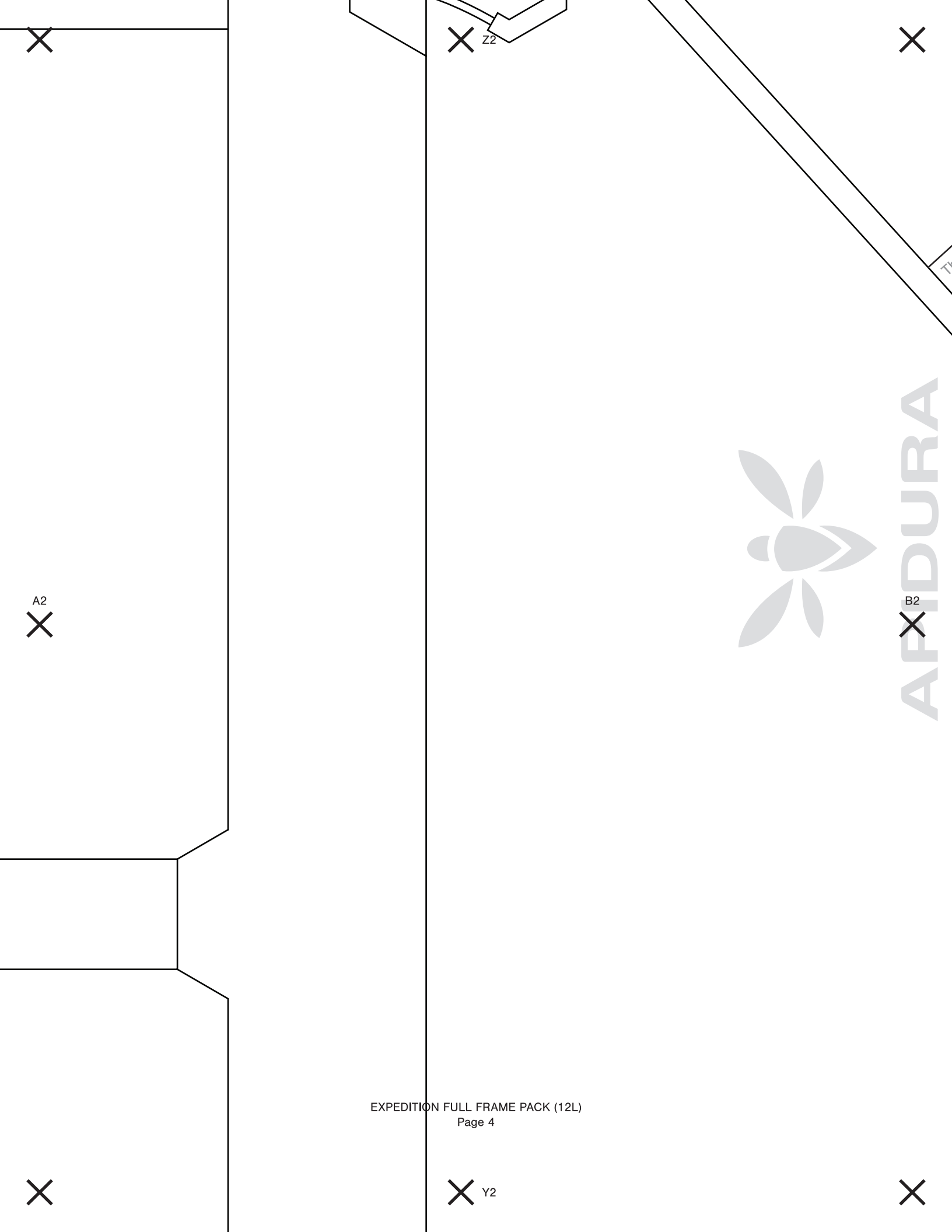


A2
X



X Y1





AFIDURA

B2

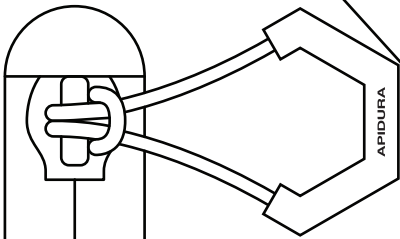
X

This webbing strap is
26cm long (10.2in long)

AFIDURA

B2

X



This webbing strap is
26cm long (10.2in long)

X

X Y3



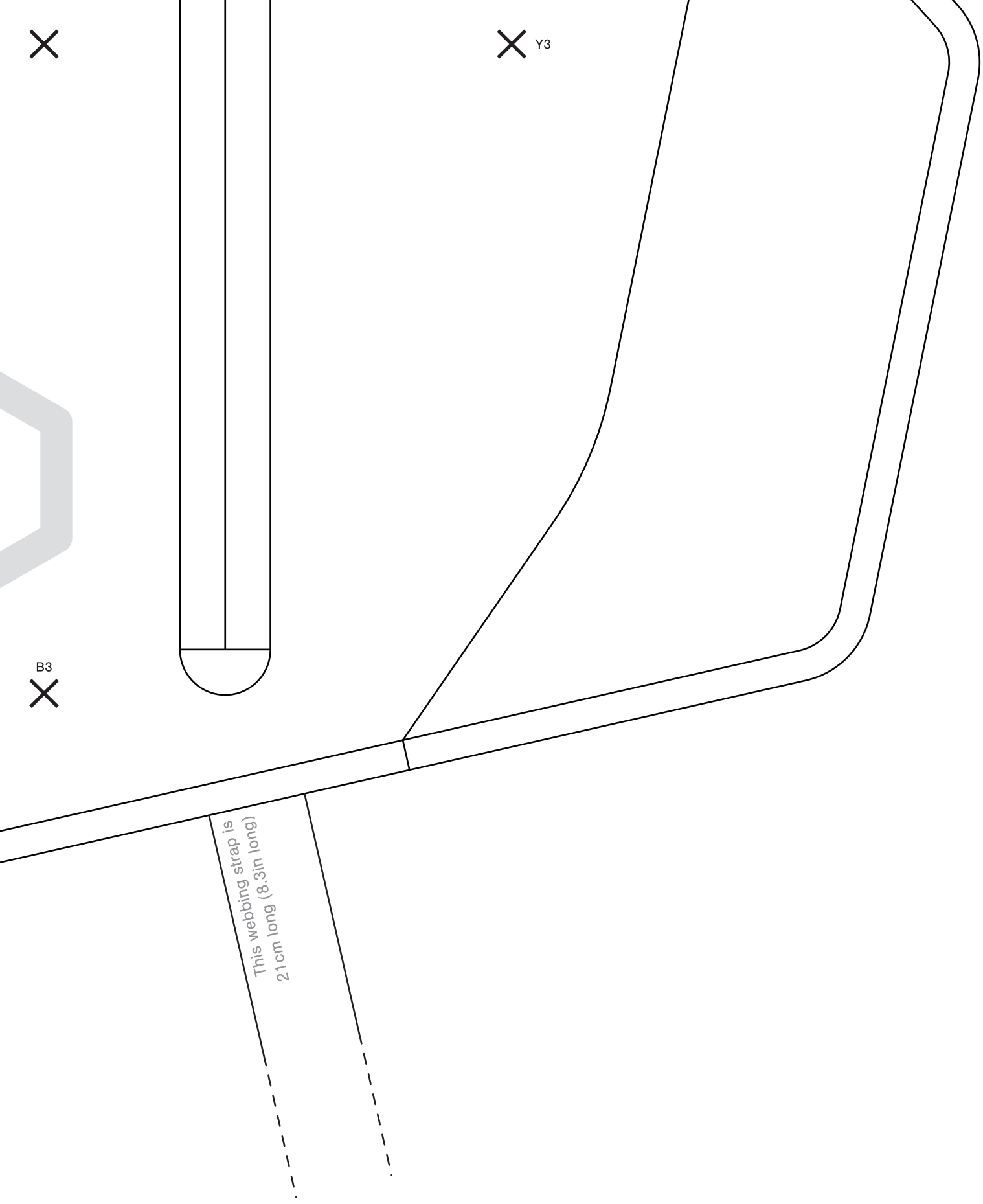
A3





EXPEDITION FULL FRAME PACK (12L)

This webbing strap is
21cm long (8.3in long)



This webbing strap is
21cm long (8.3in long)