

PRINTING AND FITTING SPECIFICATIONS

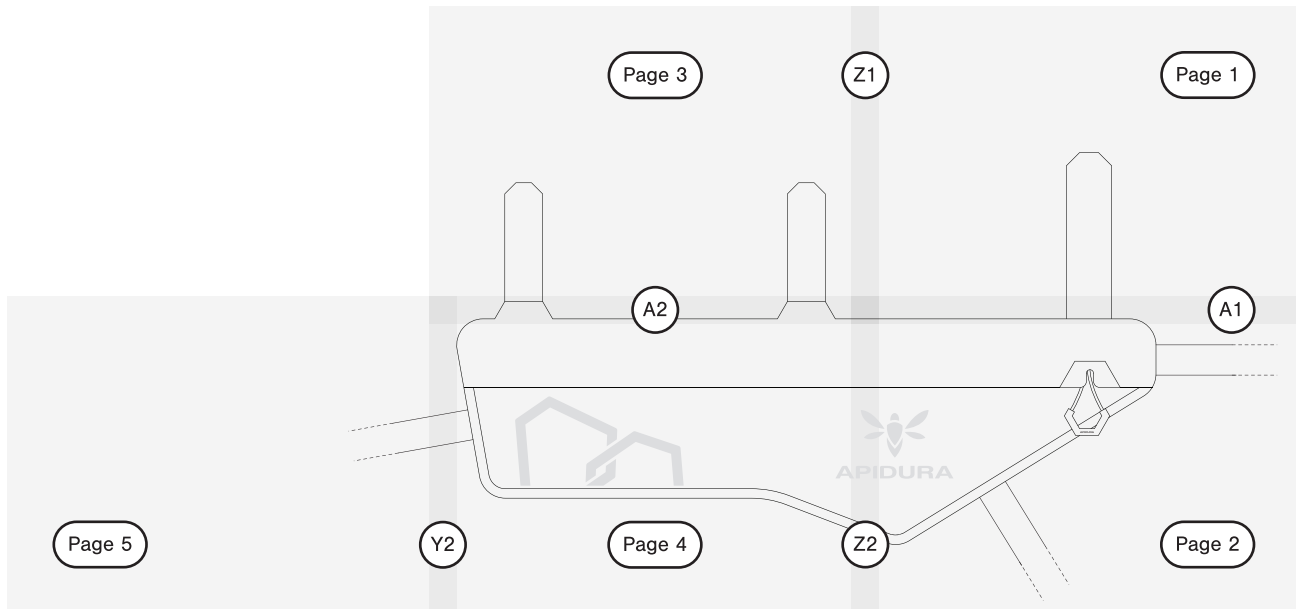
- Print this document on A4 sheets of paper (21 x 29.7cm).
- Ensure you print at 100 % scale.
- Measure both sides of this box to check scale is correct.
- Fit the prints together following the numbering system on the edge of each sheet. Ensure crosses are aligned.
- Tape the sheets together and cut around the Pack's outline
- When fitting this printed template to your bike, keep in mind that the Frame Pack will be more flexible as it is built from fabric.

10cm
3.9in

10cm / 3.9in

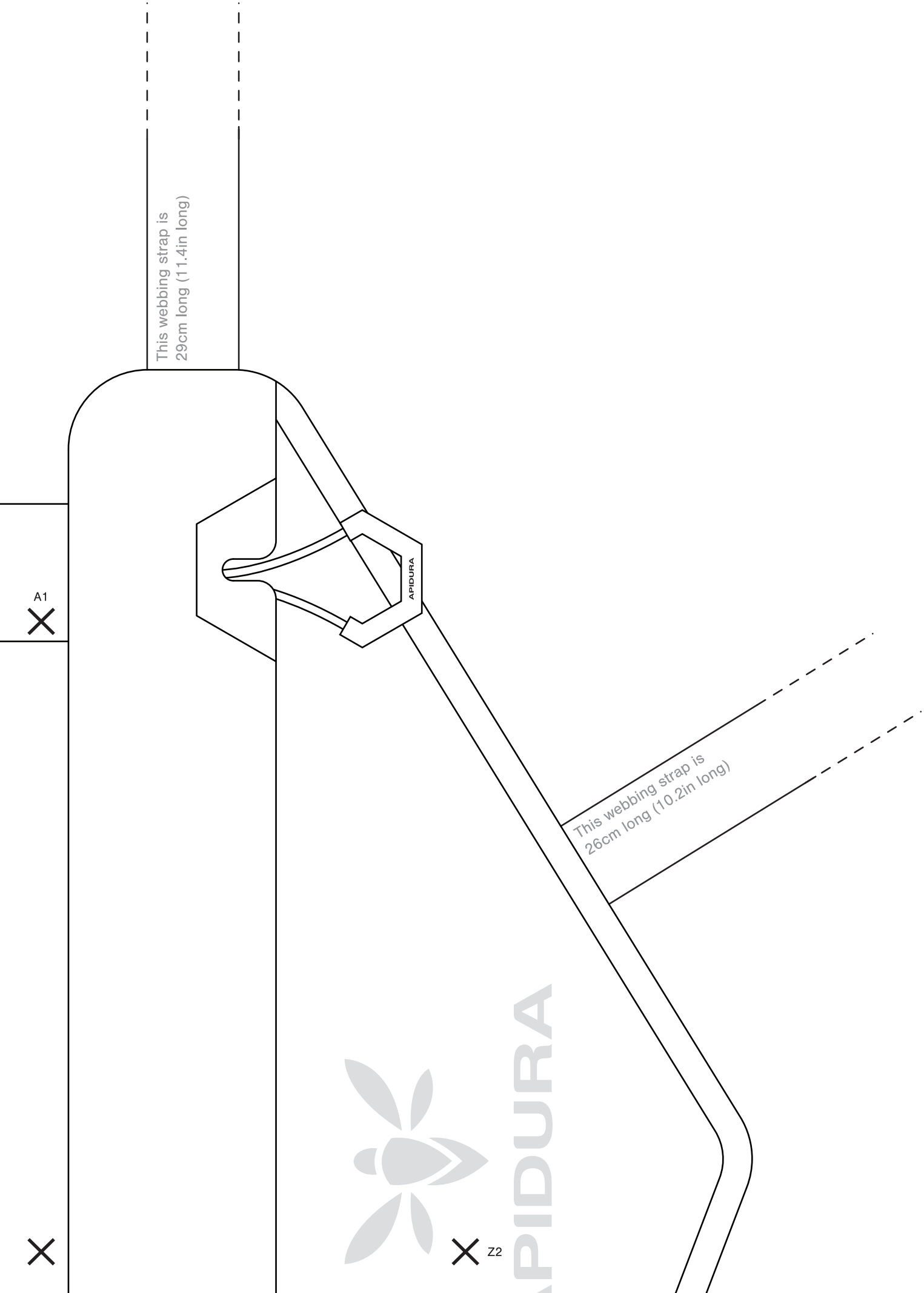
SCALE EXAMPLE OF FINAL TEMPLATE

A1



X Z1





This webbing strap is
29cm long (11.4in long)

This webbing strap is
26cm long (10.2in long)

A1
X

X

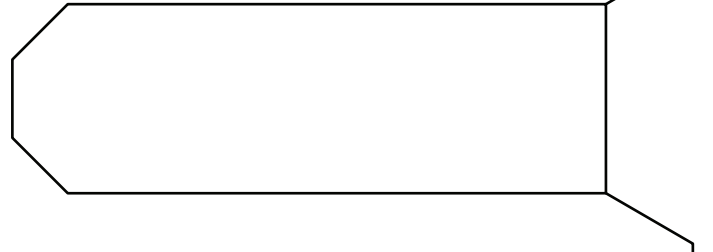


Z2
X

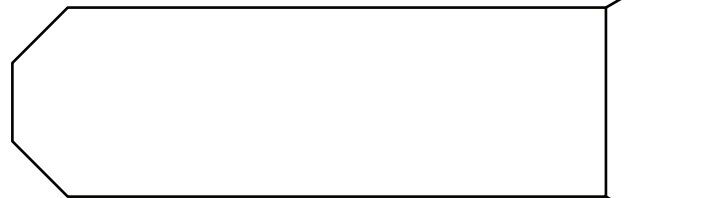
APIDURA

X z1

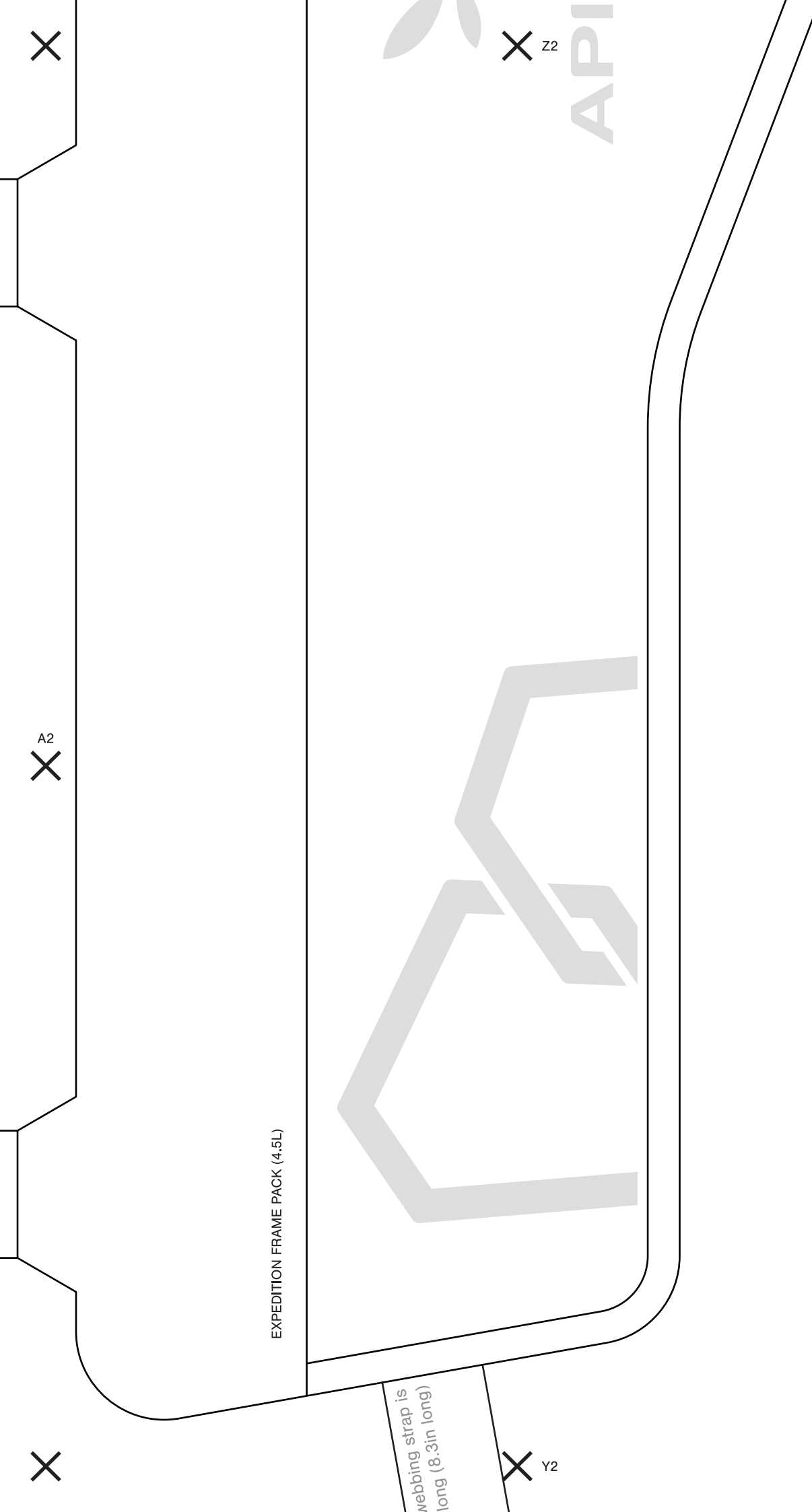
X



A2
X



X



EXPEDITION FRAME PACK (4.5L)

webbing strap is
long (8.3in long)

X Z2

API

X

A2 X

X

X Y2



This webbing strap
21cm long (8.3in)



Y2