

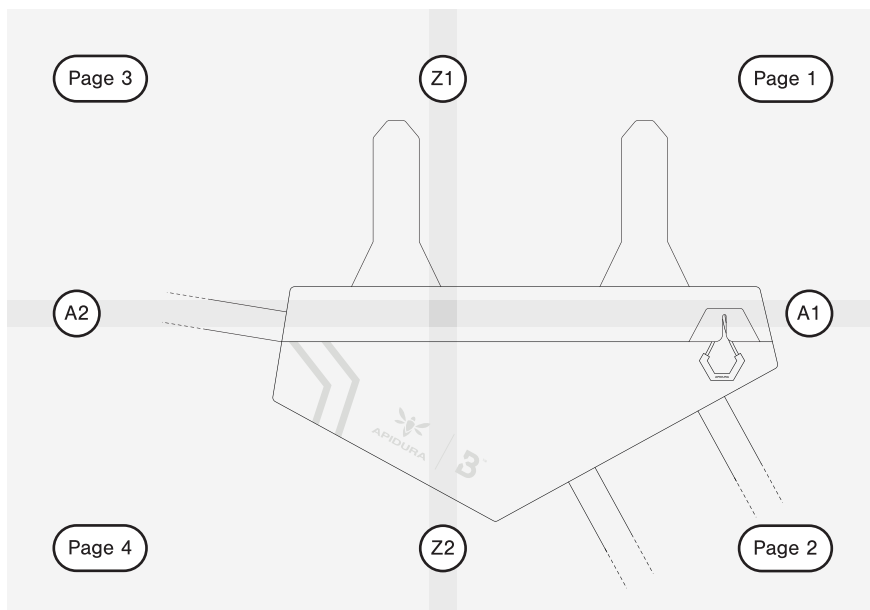
### PRINTING AND FITTING SPECIFICATIONS

- Print this document on A4 sheets of paper (21 x 29.7cm).
- Ensure you print at 100 % scale.
- Measure both sides of this box to check scale is correct.
- Fit the prints together following the numbering system on the edge of each sheet. Ensure crosses are aligned.
- Tape the sheets together and cut around the Pack's outline
- When fitting this printed template to your bike, keep in mind that the Frame Pack will be more flexible as it is built from fabric.

10cm  
3.9in

10cm / 3.9in

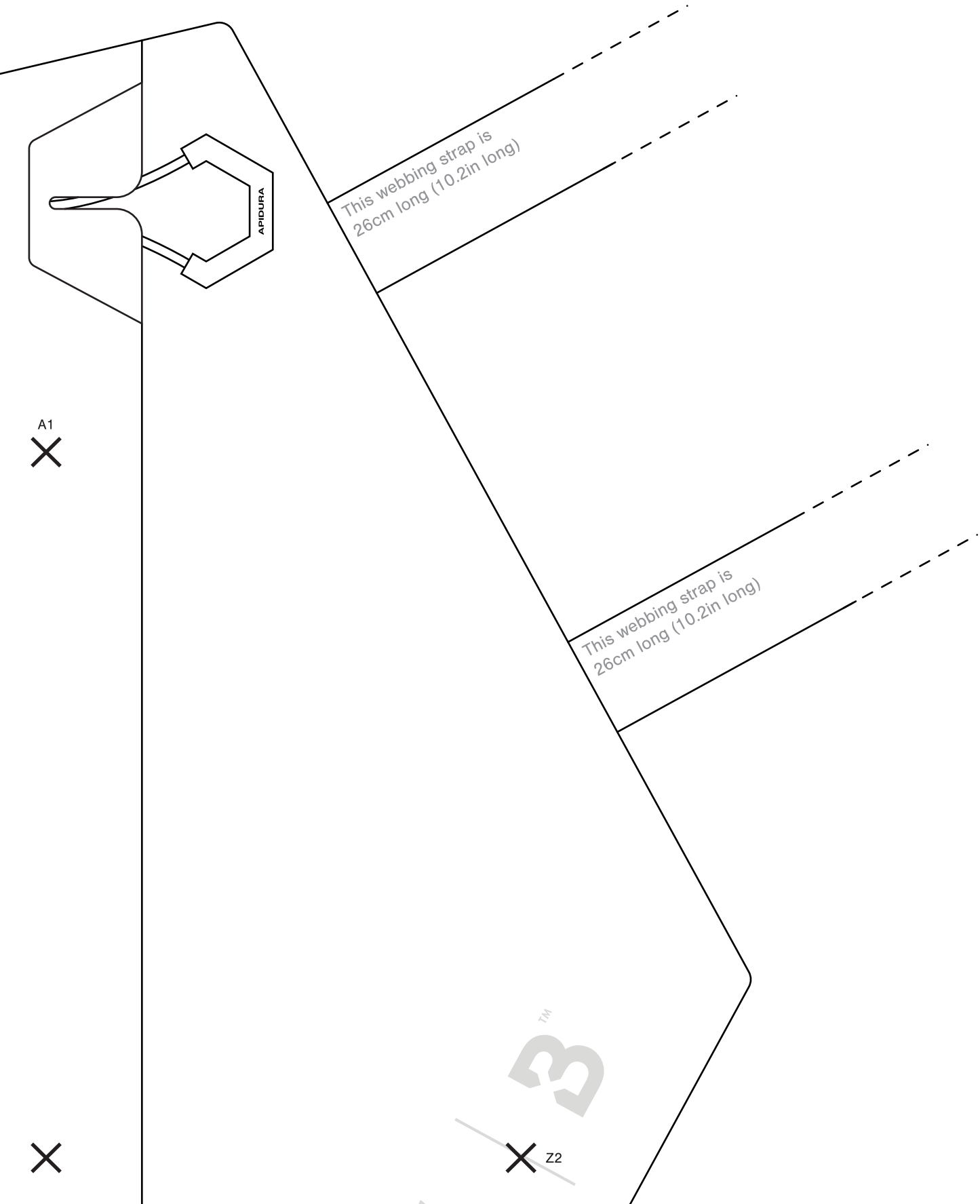
### SCALE EXAMPLE OF FINAL TEMPLATE



A1  
X

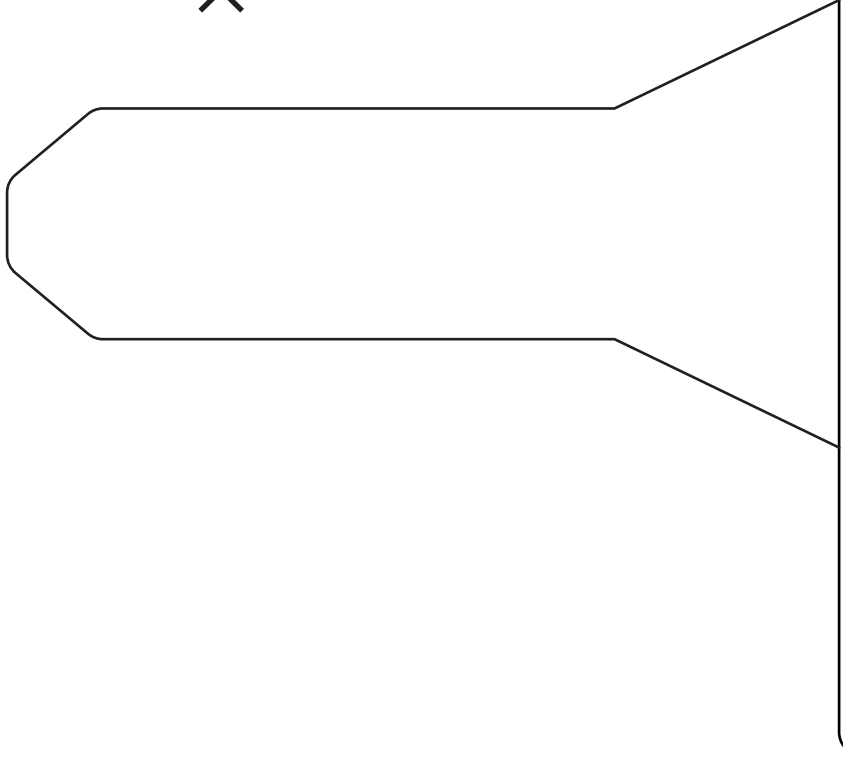
X Z1

X



X z1

X



This webbing strap is  
28cm long (9in long)

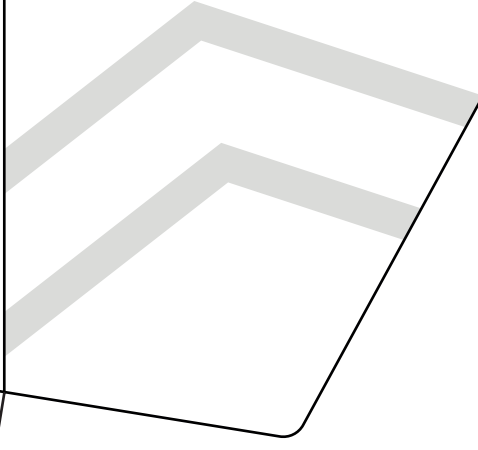
X



Z2



APIDURA + BOMBTRACK FRAME PACK (2.4L)



This webbing strap is  
23cm long (9in long)

