

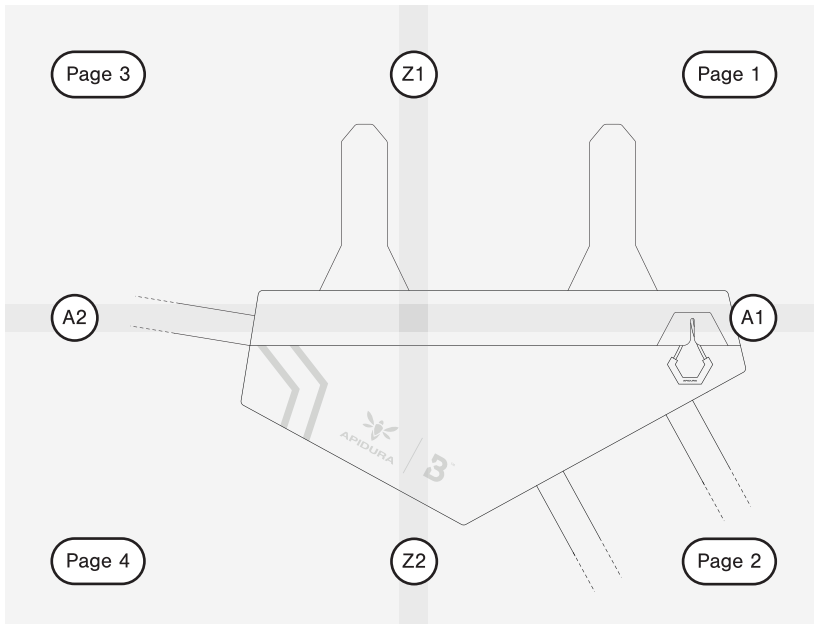
PRINTING AND FITTING SPECIFICATIONS

- Print this document on letter size sheets of paper (8.5 x 11in).
- Ensure you print at 100 % scale.
- Measure both sides of this box to check scale is correct.
- Fit the prints together following the numbering system on the edge of each sheet. Ensure crosses are aligned.
- Tape the sheets together and cut around the Pack's outline
- When fitting this printed template to your bike, keep in mind that the Frame Pack will be more flexible as it is built from fabric.

10cm
3.9in

10cm / 3.9in

SCALE EXAMPLE OF FINAL TEMPLATE

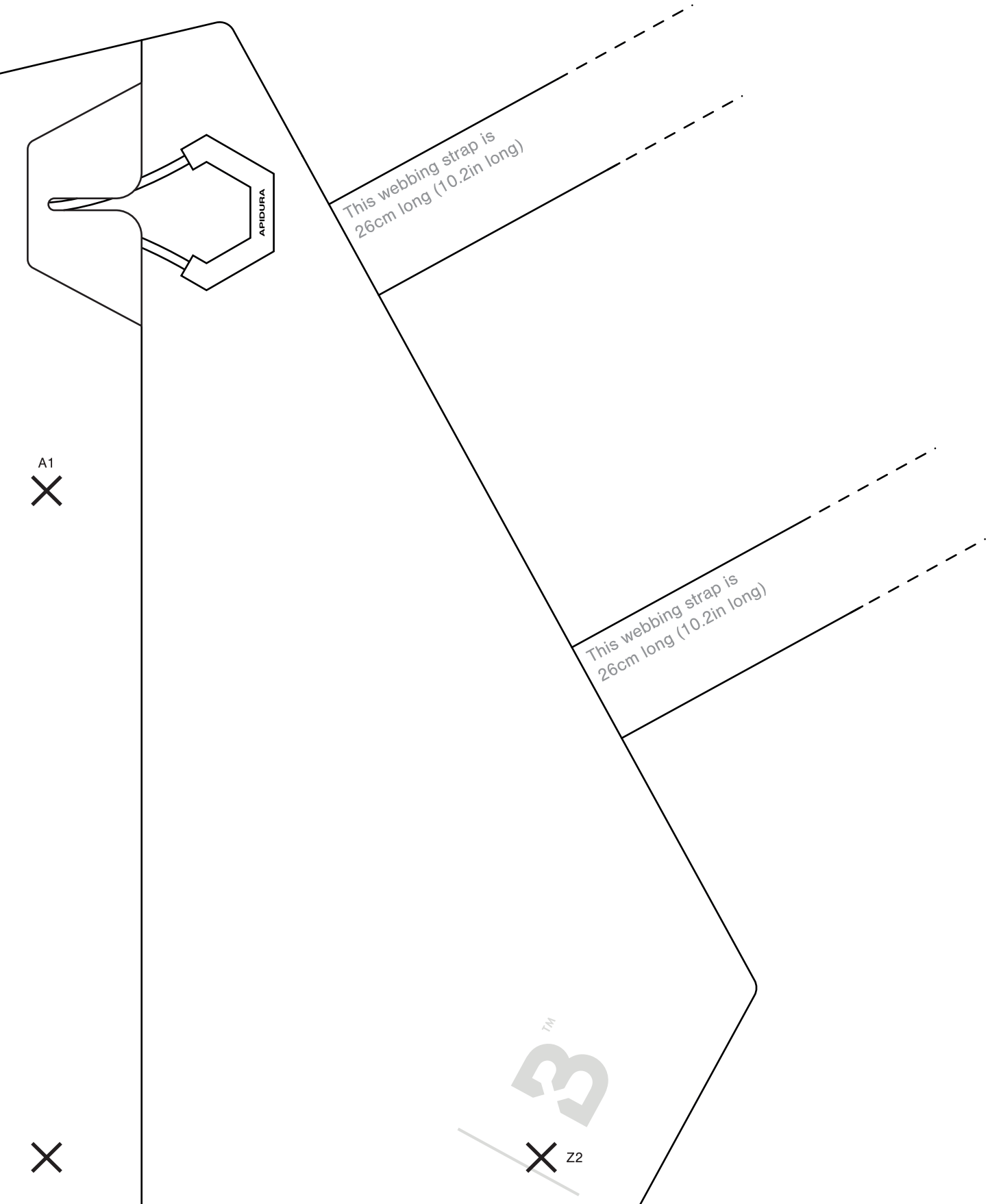


A1



X Z1





A1
X

This webbing strap is
26cm long (10.2in long)

This webbing strap is
26cm long (10.2in long)

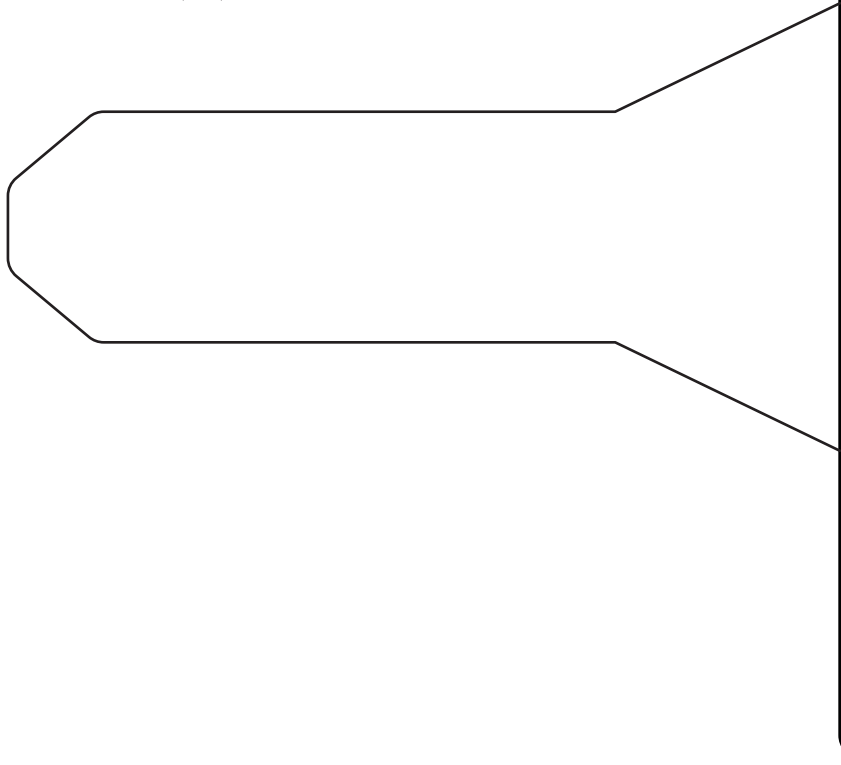
X



Z2
X

X Z1

X

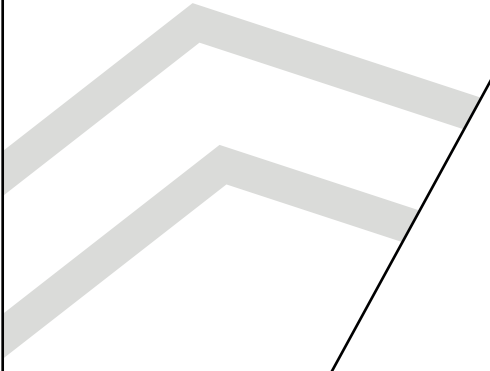


This webbing strap is
23 1/2 in long (9 in long)

X



APIDURA + BOMBTRACK FRAME PACK (2.4L)



This webbing strap is
23cm long (9in long)