

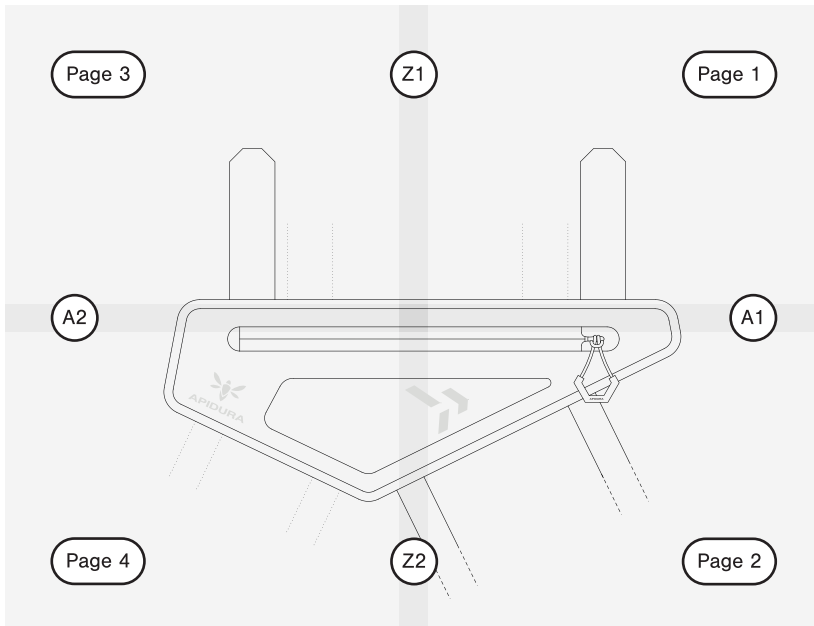
PRINTING AND FITTING SPECIFICATIONS

- Print this document on letter size sheets of paper (8.5 x 11in).
- Ensure you print at 100 % scale.
- Measure both sides of this box to check scale is correct.
- Fit the prints together following the numbering system on the edge of each sheet. Ensure crosses are aligned.
- Tape the sheets together and cut around the Pack's outline
- When fitting this printed template to your bike, keep in mind that the Frame Pack will be more flexible as it is built from fabric.

10cm
3.9in

10cm / 3.9in

SCALE EXAMPLE OF FINAL TEMPLATE



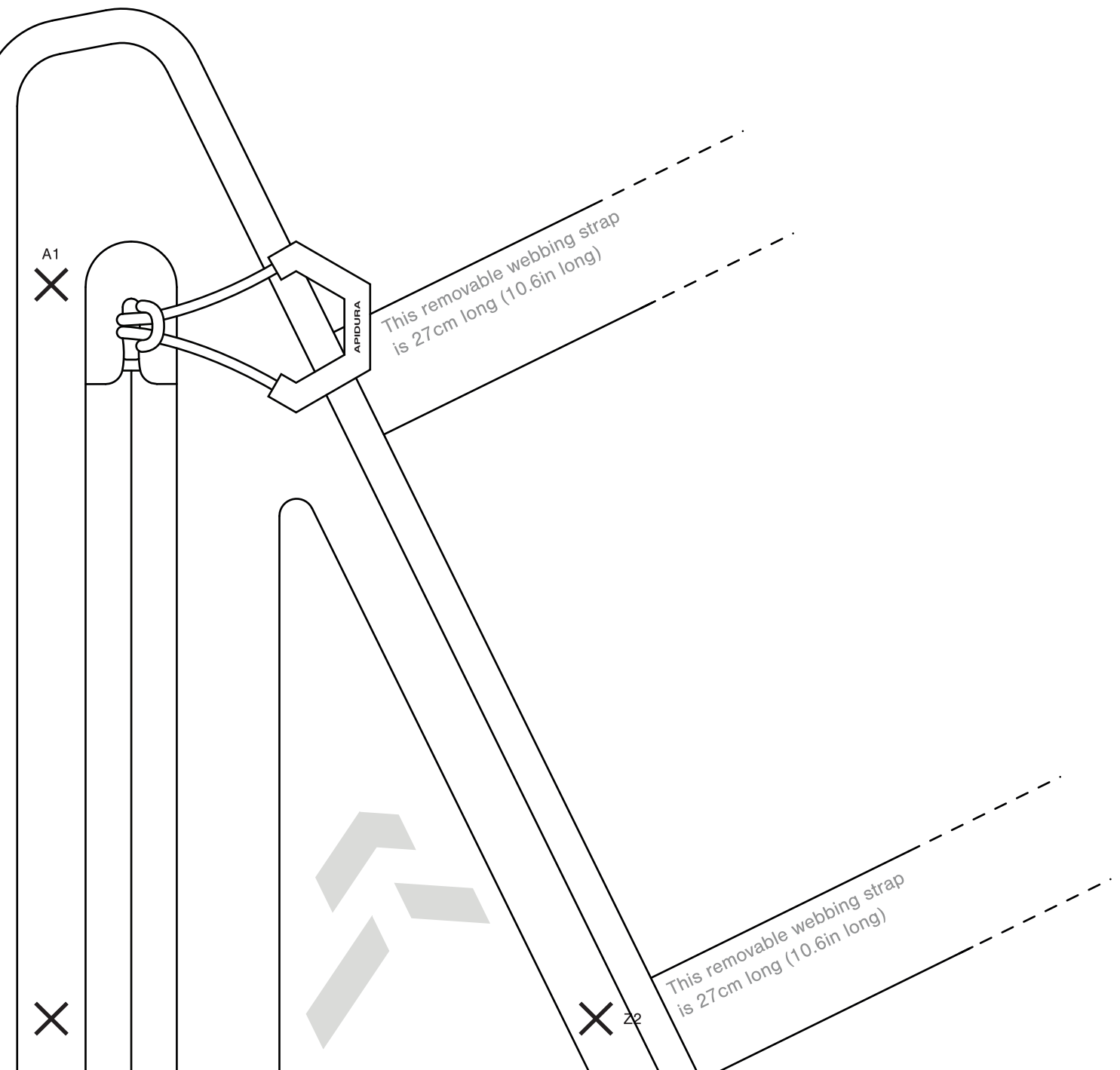
Alternative placement
for the velcro strap

A1



X Z1





X z1

.....
Alternative placement
for the velcro strap
.....



BACKCOUNTRY FRAME PACK (2L)

A2

X



BACKCOUNTRY FRAME PACK (2L)



A2



Z2

This re...
is 27cm long

.....
Alternative placement for the
webbing strap when reversed
.....

.....
Alternative placement for the
webbing strap when reversed
.....